

File Name:	BONITEL T322 User Guide	Creator:	
Project:	T322	Creation Date:	2013-07-01
		Update Date:	2013-07-03
Sub Project:	User Guide	Page:	1 of 21
Revision:	V1.01	Confidential:	External Documentation

BONITEL® GPS Vehicle Tracker



T322

User Guide

File Name:	BONITEL T322 User Guide	Creator:	
Project:	T322	Creation Date:	2013-07-01
		Update Date:	2013-07-03
Sub Project:	User Guide	Page:	2 of 21
Revision:	V1.01	Confidential:	External Documentation

Content

1.	Copyright and Disclaimer	3
2.	Applications	3
3.	Product Function and Specifications.....	3
	3.1 Product Function.....	3
	3.2 Specifications	4
4.	T322 and Accessories.....	5
5.	View.....	6
6.	First Use	7
	6.1 Install SIM Card	7
	6.2 LED Indications	7
	6.3 Configure by Computer	8
	6.3.1 GPRS/SMS Tracking	10
	6.3.2 Geo-fence Configuration	11
	6.3.3 Authorized Event Configuration	12
	6.4 GPS Tracking.....	13
	6.4.1 Real-time Tracking by Mobile Phone.....	13
	6.4.2 Set Function Phone Numbers.....	14
	6.4.3 Arming/Disarming.....	15
	6.5 Advanced Settings	16
	6.5.1 Key on RF Wireless Remote Control	16
	6.6 GPS Tracking System.....	16
7.	Installation	18
	7.1 Connect GPS Antenna(Optional)	18
	7.2 Install I/O Cable	18
	7.2.1 The Definition of I/O Cable.....	18
	7.2.2 I/O Photos	19
	7.2.3 Power Cable/Ground Wire	19
	7.2.4 ACC and Door Detection.....	20
	7.2.5 Remote Control Stop Engine	20
	7.2.6 Buzzer Alarm (Optional)	20
	7.2.7 Remote Control Box (Optional)	21
	7.2.8 Port of Microphone and Speaker (Optional)	21
	7.3 Mount the T322 Unit.....	21

File Name:	BONITEL T322 User Guide	Creator:	
Project:	T322	Creation Date:	2013-07-01
		Update Date:	2013-07-03
Sub Project:	User Guide	Page:	3 of 21
Revision:	V1.01	Confidential:	External Documentation

1. Copyright and Disclaimer

Copyright © 2013 BONITEL. All rights reserved

BONITEL and  are trademarks that belong to BONITEL

The user manual may be changed without prior notification.

This user manual, or any part thereof, may not be reproduced for any purpose whatsoever without the written authorization of BONITEL or transmitted in any form, either electronically or mechanically, including photocopying and recording.

In no event shall BONITEL be liable for direct, indirect, special, incidental, or consequential damages (including but not limited to economic loss, personal injury, and loss of asset and property) arising out of the use or inability or illegality to use the product or documentation.

2. Applications

- Private Car Tracking and Security
- Official Car Tracking and Security
- Personal Tracking

3. Product Function and Specifications

3.1 Product Function

- U-blox 7 GPS and Quad Band GSM 850/900/1800/1900Mhz
- GPS + GSM Dual Module Tracking
- SMS/TCP/UDP (MEITRACK Protocol)
- Track by Time/ Distance Interval
- Track on Mobile Phone
- Listen-in or Two-way Audio (Optional)
- Internal Flash Memory (1M)
- Inbuilt Motion Sensor
- Internal Backup Battery 350mAh, Long Stand-by Time
- SOS Alarm
- Geo-fence Alarm
- GPS Blind Area Alarm
- Low Battery Alarm
- Speeding Alarm
- Tow Alarm
- GPS Antenna/ External Power Cut Alarm
- Mileage Report
- Engine Cut (Engine immobilization) Alarm
- 3 Digital Input(1 Negative,1 Positive and 1 can be set through software)
- 2 Output
- 1 Analog Input for Fuel Detection (Optional)

File Name:	BONITEL T322 User Guide	Creator:	
Project:	T322	Creation Date:	2013-07-01
		Update Date:	2013-07-03
Sub Project:	User Guide	Page:	4 of 21
Revision:	V1.01	Confidential:	External Documentation

- 1 Output for Buzzer Alarm (Optional)
- Wireless Remote Control (Arming, Disarming) (Optional)

3.2 Specifications

Items	Specifications
Dimension	70.5*54*19.5mm
Weight	220g
Input Voltage	DC 9V~36V/1.5A
Back-up Battery	350mAh/3.7V
Normal Working Power Consumption (12V)	45mA normal working current (12V ACC ON, 10sec upload, average current)
Standby Power Consumption (12V)	6.5mA (12V ACC OFF, NOT upload, average current)
Battery Normal Working Power Consumption	7mA standby current (3.8V ACC OFF, NOT upload, average current)
Operating Temperature	-20°C~55°C
Humidity	5%~95%
Work Time	50 hours in power-saving mode and 3.5 hours in normal mode
LED	3 LED lights to show GPS/GSM/Power status
Button	1 SOS (send SMS or Call), 1 power on/off, 1 positive and negative trigger switch by the door
Microphone	External connection (Optional)
Memory	1M Byte
Sensor	Motion sensor
GSM Frequency	GSM 850/900/1800/1900MHz
GPS Chip	Latest GPS U-blox 7 chipset, 50 channels all-in-view tracking
GPS Sensitivity	-161dB
Positioning Accuracy	10 meters
GSM Antenna	Internal Antenna
GPS Antenna	Internal / external connection MMCX antenna (Optional)
I/O	3 Digital Input(1 SOS, 1 Door Trigger(can be set to be negative or positive), 1 ACC Detection) 2 Output(1 Buzzer Alarm,1 Remote Engine Cut) 1 Analog Input 1 USB232 Interface(can charge battery) 1Wireless Remote Control (433Mhz)(Optional)

File Name:	BONITEL T322 User Guide	Creator:	
Project:	T322	Creation Date:	2013-07-01
		Update Date:	2013-07-03
Sub Project:	User Guide	Page:	5 of 21
Revision:	V1.01	Confidential:	External Documentation

4. T322 and Accessories



T322 with Battery



I/O Cable



SOS Button



USB Data Cable



CD

Optional Accessories:



Wireless
Remote Control



Buzzer Alarm



Microphone



Speaker



Fuel Sensor



GPS Antenna



Remote Control Box



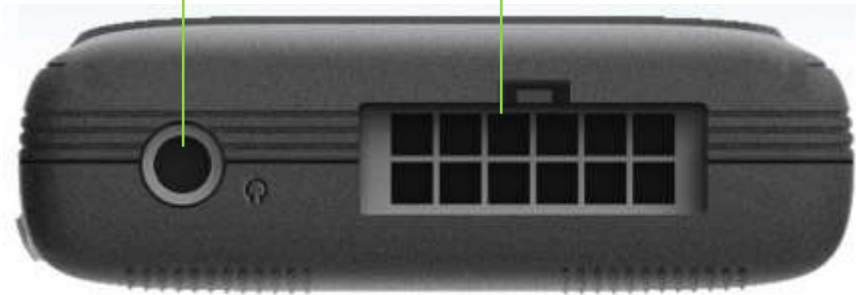
Microphone and
Speaker Connector
Cable

File Name:	BONITEL T322 User Guide	Creator:	
Project:	T322	Creation Date:	2013-07-01
		Update Date:	2013-07-03
Sub Project:	User Guide	Page:	6 of 21
Revision:	V1.01	Confidential:	External Documentation

5. View

Microphone & Speaker Interface

Power & Functional Cables



GPS Antenna Interface

Power/GSM/GPS LED

USB Interface



SIM Card Slot & Input 3 High/Low Level Detection On/Off

Power On/Off

File Name:	BONITEL T322 User Guide	Creator:	
Project:	T322	Creation Date:	2013-07-01
		Update Date:	2013-07-03
Sub Project:	User Guide	Page:	7 of 21
Revision:	V1.01	Confidential:	External Documentation

6. First Use

6.1 Install SIM Card

Remove cover of SIM, insert the SIM card by sliding it into the card holder with the chip module facing to the connectors on PCB, put the cover in place.

Notice:

Check that the SIM has not run out of credit (Verify the SIM card has sufficient fund and fully function in a phone);

Check the SIM Lock code feature is off;

If T322 required to send SMS to a function phone number, make sure the Caller ID is not block.

Before installing the SIM card, make sure the T322 is power off.



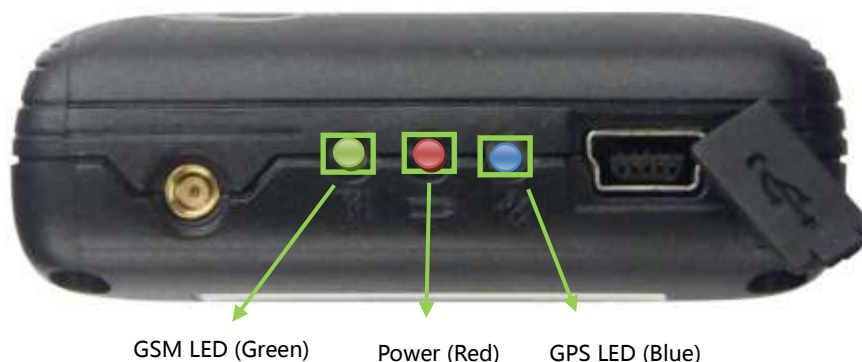
Wrong order: shouldn't it be T322 power off first.. like

Before installing the SIM card, turn the power off.

If the T322 required to reply, be sure the incoming Caller ID is not block.

Be sure SIM card account has sufficient fund and is fully functional in a phone.

6.2 LED Indications



Press and hold the Power On/Off button for 3~5 seconds, connect with USB cable or external power, T322 will turn on automatically.

(not clear; I have to read it 3 time in order to understand that there are 3 ways to turn on the tracker and is this new, tracker will turn ON by connect it with USB to a computer?)

There are three ways to turn ON the tracker, press and hold the power ON/OFF button for 3-5 seconds, or connect tracker by USB cable to a computer, or connect it with external power source.

GPS LED (Blue)

File Name:	BONITEL T322 User Guide	Creator:	
Project:	T322	Creation Date:	2013-07-01
		Update Date:	2013-07-03
Sub Project:	User Guide	Page:	8 of 21
Revision:	V1.01	Confidential:	External Documentation

On	GPS Antenna is failure.
Off	GPS is off.
Flashing (0.5 second on and 2.5 seconds off)	T322 has a GPS fix
Flashing (1 second on and 2 seconds off)	T322 has no GPS fix
GSM LED (Green)	
On	A call is coming in / a call is being made
Off	SIM card is not inserted / SIM is failure.
Flashing (0.5 second on and 2.5 seconds off)	T322 is connected to the GSM network
Flashing (1 second on and 2 seconds off)	T322 is not connected to the GSM network
Power (Red)	
On	Charging
Flashing (0.5 second on and 2.5 seconds off)	Normal
Flashing (1 second on and 2 seconds off)	Low battery

6.3 Configure by Computer

The following shows you how to configure the T322 with **MEITRACK Manager**.

Please refer to the **MEITRACK Manager User Guide** for more detailed on configurations and functions.

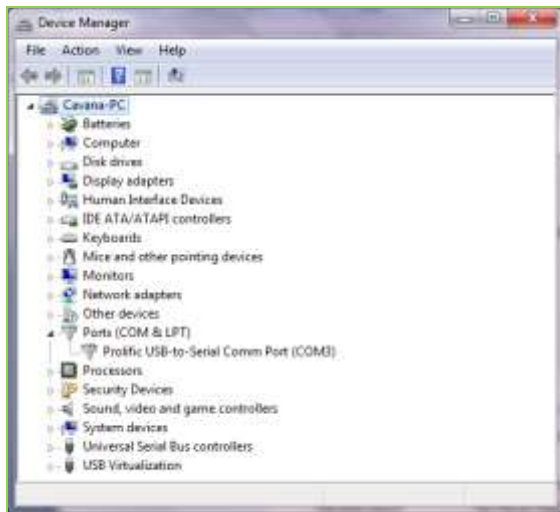
Connect T322 and PC with the USB cable.



Run **Device Manager** (right-click "My Computer" –"Manage" –"Computer Management"- "Device Manager")

Click "Port(COM and LPT)", and find "Prolific USB-to-Serial Comm Port" as below:

File Name:	BONITEL T322 User Guide	Creator:	
Project:	T322	Creation Date:	2013-07-01
		Update Date:	2013-07-03
Sub Project:	User Guide	Page:	9 of 21
Revision:	V1.01	Confidential:	External Documentation



Note: Remember the COM number. And input the same port when configure Meitrack Manager. It is COM3 in this example and it ~~would~~ might be COM4 or COM5... in your computer.

Run **MEITRACK Manager**, turn **ON** the device and connect PC and it with USB cable, Meitrack Manager will automatically detect port and model, and enter into the main interface as follows:

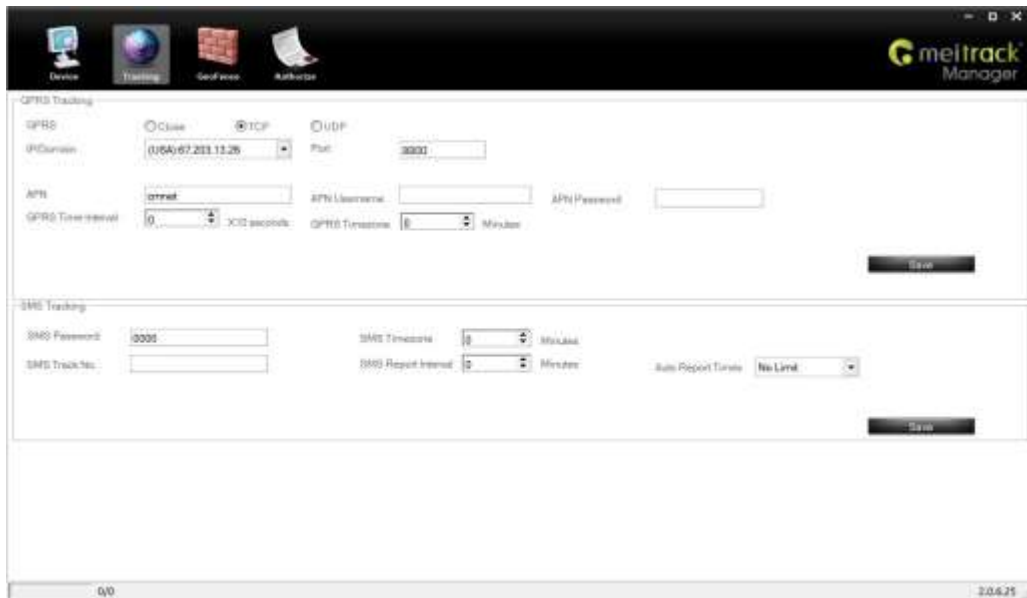


File Name:	BONITEL T322 User Guide	Creator:	
Project:	T322	Creation Date:	2013-07-01
		Update Date:	2013-07-03
Sub Project:	User Guide	Page:	10 of 21
Revision:	V1.01	Confidential:	External Documentation



6.3.1 GPRS/SMS Tracking

Select Column 2: Tracking



GPRS Tracking

Item	Description
GPRS	<p>Close: Close GPRS</p> <p>TCP: TCP is a stable connection. It is recommended to use (Default).</p> <p>UDP: UDP can save data flow, while it is unreliable.</p>
IP/Domain and Port	<p>Set main server's IP and port.</p> <p>Default IP: 67.203.13.26</p>

File Name:	BONITEL T322 User Guide	Creator:	
Project:	T322	Creation Date:	2013-07-01
		Update Date:	2013-07-03
Sub Project:	User Guide	Page:	11 of 21
Revision:	V1.01	Confidential:	External Documentation

	Default Port : 8800
APN, APN Username, APN Password	Max 32 bytes. If no username and password, leave them blank. China Mobile APN: CMNET, China Unicom APN: NINET, no username and password. APN set default value as CMNET, APN user name and password as blank, so CMNET users can use device once it insert the card with GPRS function.
GPRS Time Interval	Track by time interval via GPRS Set time interval for GPRS tracking, unit in 10 seconds (fill in 6 means 60 seconds). To cancel GPRS tracking, time interval = 0; max time interval = 65535*10 seconds. Default setting of GPRS interval time is 6*10s.
GPRS Time Zone	GPRS time zone minute = 0, GMT 0 (Default) GPRS time zone minute = [-32768,32767], set different time zones.
Save	Write current GPRS Tracking settings into the tracker.

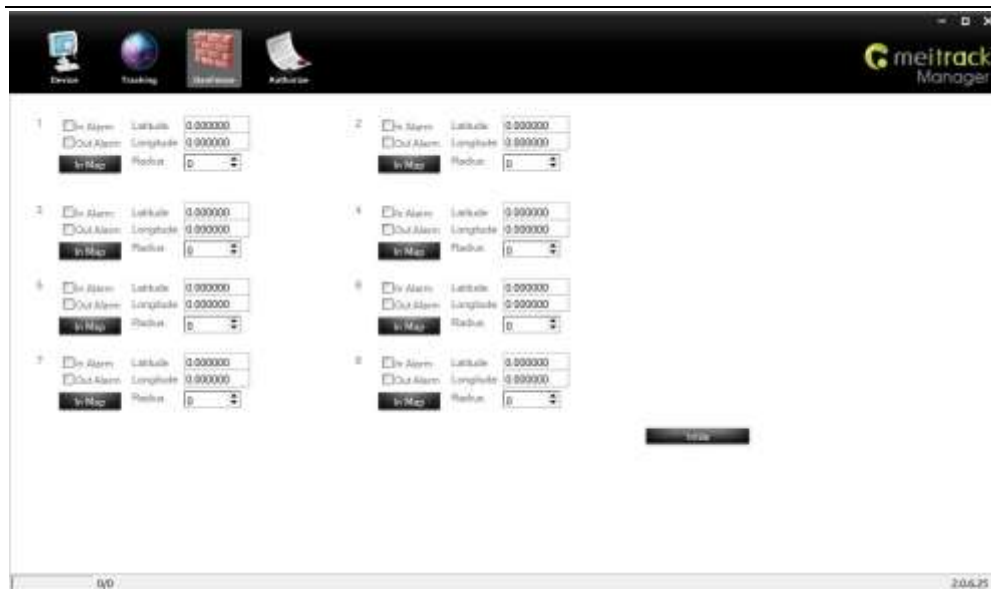
SMS Tracking

Item	Description
User Password	0000 SMS password for sending SMS commands, defaulted as 0000.
SMS Time Zone	Default time zone of the tracker is GMT 0. You can use this comment to correct it to your local time for SMS report. Time zone of SMS report and GPRS data package report is independent. = 0, GMT 0 (default); = [-32768,32767], set time difference in minutes to GMT. Example: Beijing Time (China)=480.
SMS Tracking No.	The phone no. receives timing SMS.
SMS Interval Time I	SMS Interval Time: Report location by SMS time interval. Set SMS interval time. = 0, cancel tracking by time interval (default); = [1,65535], tracking by interval in minute. Report times: = no limit, unlimited times for report. = [1,255], it will stop reporting when reaching preset value.
Save	Write current SMS Tracking settings into the tracker.

6.3.2 Geo-fence Configuration

Select Column 3: Geo Fence

File Name:	BONITEL T322 User Guide	Creator:	
Project:	T322	Creation Date:	2013-07-01
		Update Date:	2013-07-03
Sub Project:	User Guide	Page:	12 of 21
Revision:	V1.01	Confidential:	External Documentation



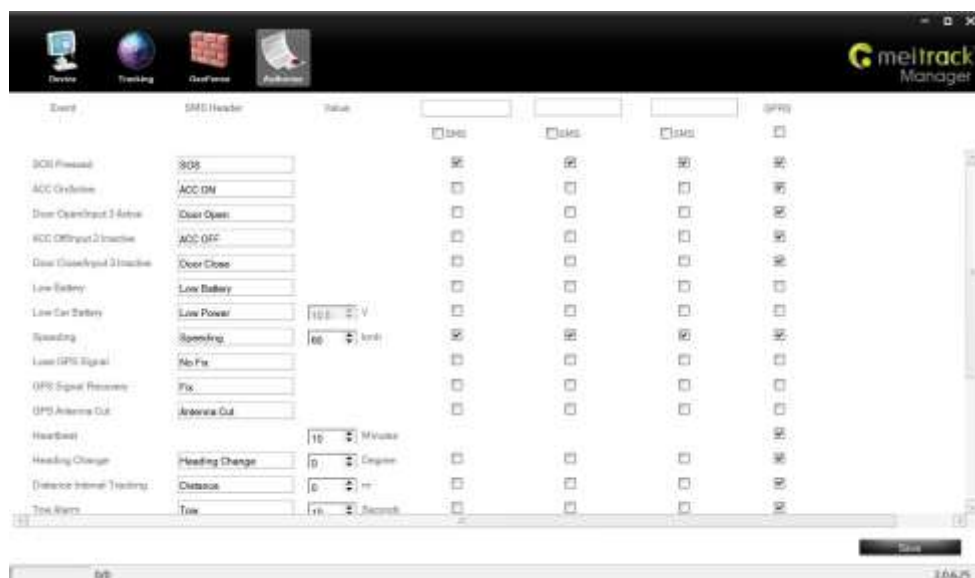
Geo-fence: it is a circular fence which is based on a center point with preset radius. Maximum 8 geo-fence.
 Enter Geo-fence: alarm while the device entering geo-fence, the left textbox will show corresponding SMS Head, default as "In Alarm".

Exit Geo-fence: alarm while the device exiting geo-fence, the left textbox will show corresponding SMS Head, default as "Out Alarm".

Map: click "In Map" to make and define geo-fence.

6.3.3 Authorized Event Configuration

Select Column 4: Authorize. Set GPRS Event and Buzzer Alarm, and they can be set separately.



Item	Description
SOS Press / Activate	Press SOS to send SMS or call the authorized phone numbers, the SMS Head default as "SOS".
Low Battery	Send SMS alarm when voltage of the inbuilt battery is below 3.5V. The SMS Head default as "Low Battery"

File Name:	BONITEL T322 User Guide	Creator:	
Project:	T322	Creation Date:	2013-07-01
		Update Date:	2013-07-03
Sub Project:	User Guide	Page:	13 of 21
Revision:	V1.01	Confidential:	External Documentation

Speeding	Send SMS alarm when the speed of tracker exceeds the preset max speed. The SMS Head default as "Speeding"
GPS Blind Area	Enter GPS Blind Alarm: Send SMS alarm when tracker enter into GPS blind area or can't receive GPS signal. The SMS Head default as "No Fix" Exit GPS Blind Alarm: Send SMS alarm when tracker exits GPS blind area or receive GPS signal. The SMS Head default as "Fix"
Reject Incoming Call	Reject automatically when the authorized phone calling in
Report Location after Calling in	Report location via SMS after the incoming call is hung up.

Please refer to MEITRACK SMS Protocol and MEITRACK GPRS Protocol, if you want to know more GPRS Setting.

6.4 GPS Tracking

6.4.1 Real-time Tracking by Mobile Phone (Smart Phone?)

Make a call to T322 and it will report with one SMS.

Click on the link then the location can be shown directly on Google Maps on your mobile phone. (Please make sure Caller ID is not block, or ~~this~~ the function will not work.)



Report description:

Now,110727 02:48,V,16,23Km/h,61%,[http://maps.google.com/maps?f=q&hl=en&q=22.540103,114.082329](http://maps.google.com/maps?f=q&hl=en&q=22.540103,114.082329&ie=UTF8&z=16&iwloc=addr&om=1)
&ie=UTF8&z=16&iwloc=addr&om=1

Content	Description	Note
Now	Current Location	Alarm Type
110721 16:40	Date & Time: 21 July, 2011, 16:40pm	Date & Time in YYMMDD HH:MM
V	No GPS fixed	GPS Status Indicator: A = valid, V = invalid
10	GSM signal=10	GSM Signal. Decimal Digit (0~31)
0Km/h	Speed=0	KM/h. Decimal digit
97%	Battery Power: 97%	Battery Power Balance (Percentage)
http://maps.google.com/maps?f=q&hl=en	Latitude: 22.513015	Google Maps Web Link with Latitude and Longitude. Click on the link to get the

File Name:	BONITEL T322 User Guide	Creator:	
Project:	T322	Creation Date:	2013-07-01
		Update Date:	2013-07-03
Sub Project:	User Guide	Page:	14 of 21
Revision:	V1.01	Confidential:	External Documentation

&q=22.540103,114.082329&ie=UTF8&z=16&iwloc=addr&om=1	Longitude: 114.057235	location.
------------------------------------------------------	-----------------------	-----------

If your mobile cannot visit HTTP websites, input the latitude and longitude into Google Maps as the following picture shows to get the position:



More SMS Commands

You can configure T322 by mobile phone or by personal computer using the MEITRACK Manager. Please refer to the following text.

Note:

1. The default password is 0000, it can be modified through SMS command (Refer to below text) and Meitrack Manager via personal computer (Refer to 6.3 Configure by Computer).
2. T322 will only accept commands from a user with the correct password and report SMS report to the user. If function phone number was set, only this phone number can receive SMS reports.

6.4.2 Set Function Phone Numbers

Command: 0000, A71,function phone number 1,function phone number 2,function phone number 3

SMS Get: IMEI, A71, OK

Note:

Function Phone Number: Max 16 characters. ~~If no preset phone number, it is empty (default is empty).~~

It is blank by default

First Function Phone Number: Authorize for SOS Alarm, Calling for Real-time Location, Geo-fence Alarm, Low Battery Alarm, Open the Vehicle's Door or Start the Vehicle without permission.

~~Send command~~ "0000, A71" to delete all **F**unction **P**hone **N**umbers.

When the SOS button is pressed, T322 will make a call to the function phone number 1, 2 and 3. It will stop calling when one number answers.

File Name:	BONITEL T322 User Guide	Creator:	
Project:	T322	Creation Date:	2013-07-01
		Update Date:	2013-07-03
Sub Project:	User Guide	Page:	15 of 21
Revision:	V1.01	Confidential:	External Documentation

Example: 0000,A71,13811111111,13822222222,13833333333

SMS Get: 353358017784062,A71,OK

6.4.3 Arming/Disarming

There are four ways to set Arming: Wireless Remote control (Optional), SMS Command, Make a Phone Call, and Platform Command.

Suggestion: Using the optional accessory Wireless Remote Control and Buzzer Alarm to strengthen protection, and please set the Function Phone Number to make sure it can be received the call and SMS Report while stolen.

- Wireless Remote Control: Press the Lock key to Arming. If buzzer alarm installed, it will sound to confirm the Arming successfully, else if buzzer is not available, then open the vehicle's door to trigger a SMS alert or a call to be sent to the function phone number. Press Unlock to Disarm.
- SMS Command: To Arming and Disarming by SMS Command.

Command: 0000,B21,Status

SMS Get: IMEI,B21,OK

Note:

Status=1 Arming. While in Armed status, and as had been triggered by open door or engine starts; T322 will call or send SMS report to the function phone number.

Status=0 Disarming. In the status of Disarm, all security alarms will be OFF.

Function	Call	SMS	Engine Cut	Buzzer	Note
Open the Vehicle's Door	√	√		√	While open the vehicle's door without permission, the buzzer will alarm all the time until unlock the status; T322 will send call in turns and send SMS report to the function phone numbers.
Start the Vehicle	√	√	√	√	While start the vehicle, the engine will be cut to avoid stolen, buzzer will alarm all the time until unlock the status; T322 will send call in turns and send SMS report to the function phone numbers.
Set Arming while Driving (Intercept the Driving Vehicle)		√	√		While the vehicle was stolen, arming by GPRS/SMS and it can be stopped engine to intercept if the speed is lower than 5km/h. T322 will send Alarm SMS report to function phone numbers.
Tow Alarm	√	√			On the status of ACC off, the tow alarm will be trigger while the vehicle vibrate.T322 will send call in turns and send SMS report to the function phone numbers.

Please refer to the **MEITRACK SMS Protocol** for more detailed SMS command.

File Name:	BONITEL T322 User Guide	Creator:	
Project:	T322	Creation Date:	2013-07-01
		Update Date:	2013-07-03
Sub Project:	User Guide	Page:	16 of 21
Revision:	V1.01	Confidential:	External Documentation

6.5 Advanced Settings

6.5.1 Key on RF Wireless Remote Control



- 1) Key-1: Short press to arming, the buzzer will make a sound.
- 2) Key-2: Short press to disarming, the buzzer will make 2 sound.

Note: for more detail information Arming Status, please refer to 6.4.3 Arming/Disarming.

6.6 GPS Tracking System

Steps:

Configure Parameters -Log in Bonitel Family GPS Tracking System MS02 (visit www.trackingmate.com and select MS02) - Add Devices

1. There 2 methods to configure:

Configure by SMS: Send SMS command (0000,A21,1,67.203.13.26,8800,APN,APNusername,APNpassword)and (0000,A12,6,0) to T322.

Configure by Meitrack Manager: connect with personal computer, run Meitrack Manager.exe, enter the main interface and select column 2 Tracking, turn on TCP and set IP, Port, APN, GPRS Time Internal.

2. Visit and log in ms02.trackingmate.com (Please contact us if lost your account and password)



File Name:	BONITEL T322 User Guide	Creator:	
Project:	T322	Creation Date:	2013-07-01
		Update Date:	2013-07-03
Sub Project:	User Guide	Page:	17 of 21
Revision:	V1.01	Confidential:	External Documentation

3. Enter the map and click Manage -Admin



4. Select Users and add the new device.



5. Get IMEI from serial port and register via IMEI (The IMEI is 356896031494173 for example)

Add a New Device

Device ID:

Password:

Device Name:

SIM Number:

Model:

Select a picture: 

6. Double click the Control Panel on the right of the main interface to check if the data on the bottom is updated.

Status **Alarm** **Updates**

Device Name: Fix: Speed:

GPS Time: Latitude: Others:

Received Time: Longitude:

Journey(Km): Run Time:

Location:

File Name:	BONITEL T322 User Guide	Creator:	
Project:	T322	Creation Date:	2013-07-01
		Update Date:	2013-07-03
Sub Project:	User Guide	Page:	18 of 21
Revision:	V1.01	Confidential:	External Documentation

7. Installation

7.1 Connect GPS Antenna (Optional)



GPS Antenna Interface



GPS Antenna

Attach the optional external GPS antenna if needed, to enhance signal when tracker installed inside the vehicle.

Connect GPS antenna to the GPS antenna interface to enhance the GPS signal while install the device ~~inner~~ inside the vehicle. The optimum location for the GPS antenna is on the roof of the vehicle. The covert and GPS antenna are directional, make sure they are facing up and lying as flat as possible. Secure them in place with glue or zip ties.

Note: Do not shield or cover the GPS antenna with any objects containing metal.

7.2 Install I/O Cable

7.2.1 The Definition of I/O Cable

The I/O cable includes power, analog input, negative/positive input and output.



1 SOS GND (Black)	3 SOS (White)	5 Input 1 (Yellow)	7 Input 2 (Orange)	9 Input 2 (Brown)	11 Input 3 (Grey)
2 Device Input Power (Red)	4 Device GND (Black)	6 Remote Control GND (Black)	8 Remote Control Power (Yellow)	10 Remote Control signal wire (Green)	12 Analog Input (Blue)

No.	I/O	Description
1	SOS GND	GND as input1 triggering.
2	Device Input Power	DC 9V~36V. 12V, under voltage and over voltage protection

File Name:	BONITEL T322 User Guide	Creator:	
Project:	T322	Creation Date:	2013-07-01
		Update Date:	2013-07-03
Sub Project:	User Guide	Page:	19 of 21
Revision:	V1.01	Confidential:	External Documentation

3	Input 1 (SOS)	Negative trigger: Alarm when input 1 active (or press SOS)
4	Device GND	GND, connect with the negative electrode of the car battery
5	Input 1 (Fuel Cut)	Output OD, power 1W, 0~100V Connect with relay to engine/fuel cut (default)
6	Remote Control GND	Connect with the black wire of remote control box
7	Input 2 (Buzzer Alarm)	Connect with the negative electrode of the buzzer alarm
8	Remote Control Power	4.2V, Connect with the Red wire of remote control box
9	Input 2 (ACC Input)	Positive trigger: High voltage input(3~60V),ACC detection default
10	Remote Control signal wire (Input 4)	Connect with the blue wire of remote control box
11	Input 3 (Door Trigger)	High voltage (default is negative trigger), switch control (beside SIM card slot), default as door detection.
12	Analog Input	AD 0~47V. Connect with sensor.

7.2.2 I/O Photos



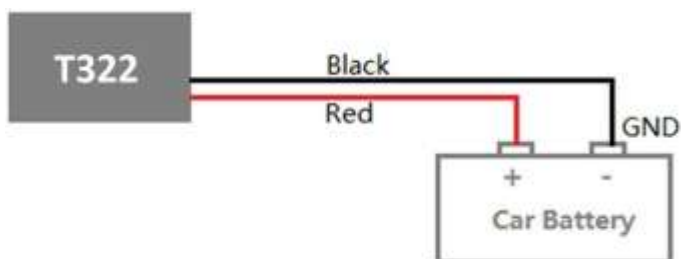
Digital Input 1(SOS) Interface



Remote Control Interface

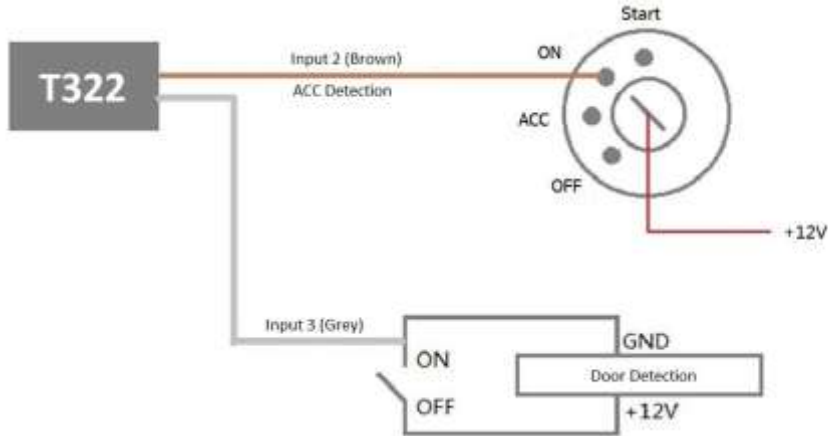
7.2.3 Power Cable/Ground Wire

Connect GND (-Black) and Power (+Red) wires to the battery of vehicle.

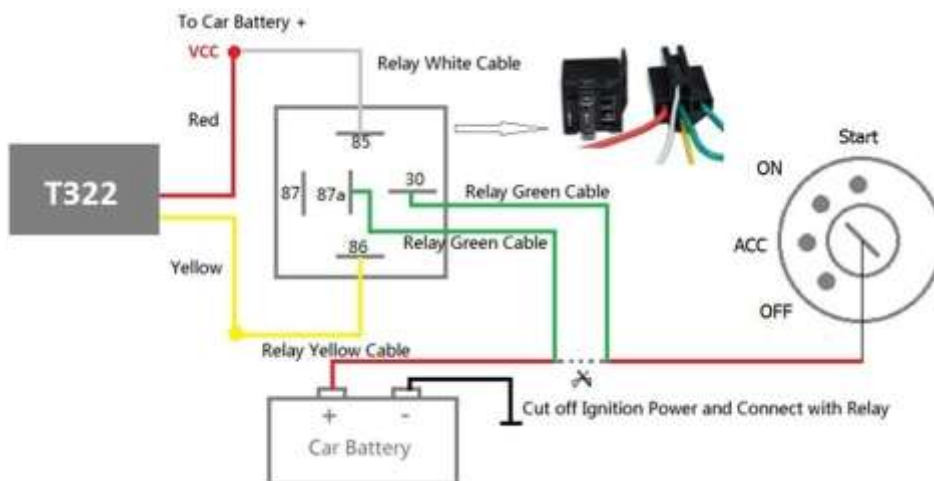


File Name:	BONITEL T322 User Guide	Creator:	
Project:	T322	Creation Date:	2013-07-01
		Update Date:	2013-07-03
Sub Project:	User Guide	Page:	20 of 21
Revision:	V1.01	Confidential:	External Documentation

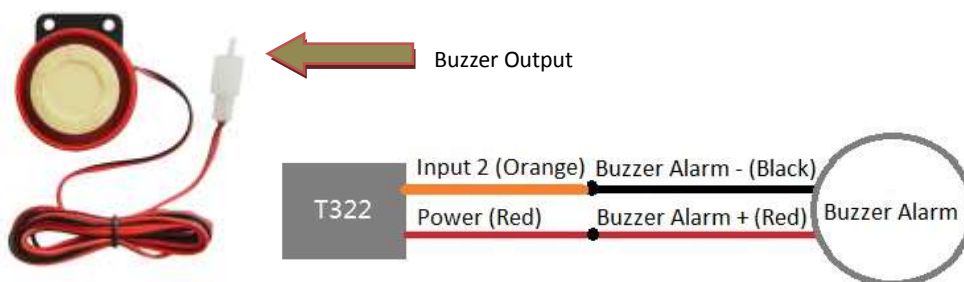
7.2.4 ACC and Door Detection



7.2.5 Remote Control Stop Engine

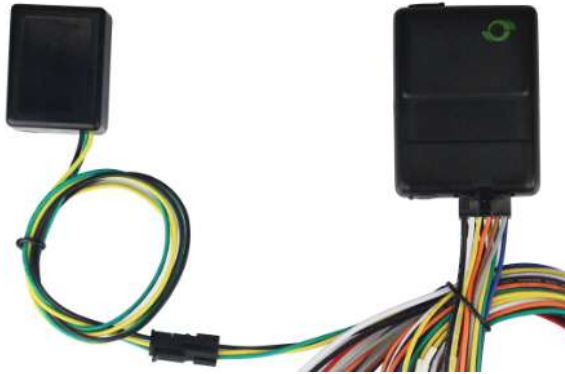


7.2.6 Buzzer Alarm (Optional)

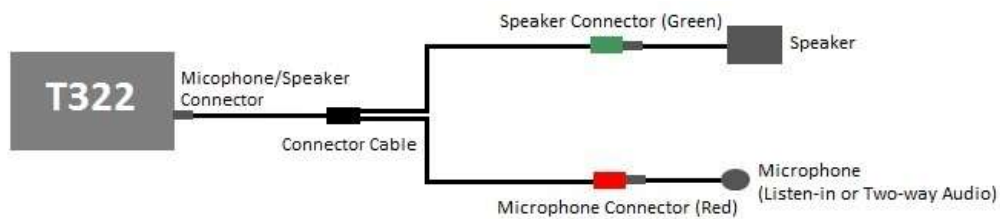


File Name:	BONITEL T322 User Guide	Creator:	
Project:	T322	Creation Date:	2013-07-01
		Update Date:	2013-07-03
Sub Project:	User Guide	Page:	21 of 21
Revision:	V1.01	Confidential:	External Documentation

7.2.7 Remote Control Box (Optional)



7.2.8 Port of Microphone and Speaker (Optional)



7.3 Mount the T322 Unit

T322 can be tied by nylon cables, or connect T322 with Cigar Lighter of the vehicle (5V input connect to RS232 interface).

Please do not hesitate to email us at ivan@bonitel.com.pe if you have any questions.